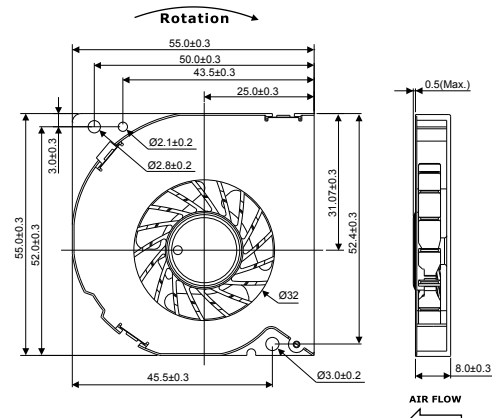
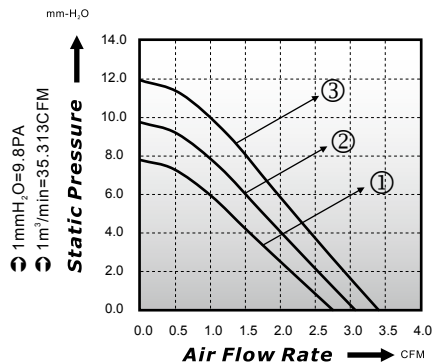


55x55x08mm

■ P-Q Curve (At Rated Voltage)

■ Dimensions Drawing

Unit: (mm)



Model No	Bearing (*)	Rated Voltage (VDC)	Rated Current (A)	Power Consumption (Watts)	Speed (rpm)	Air Flow (CFM)	Static Pressure (mmH ₂ O)	Noise (dBA)	Curve
EBD05508-05L*	○ ● ⊖	5	0.16	0.80	4200	2.75	7.79	23.8	1
EBD05508-05M*	○ ● ⊖	5	0.25	1.25	4700	3.07	9.75	26.2	2
EBD05508-05H*	○ ● ⊖	5	0.35	1.75	5200	3.40	11.94	28.6	3

* Bearing type: ○ Sleeve ● Two Ball ⊖ Hydro-Dynamic